

SCHIAVO
italian technology



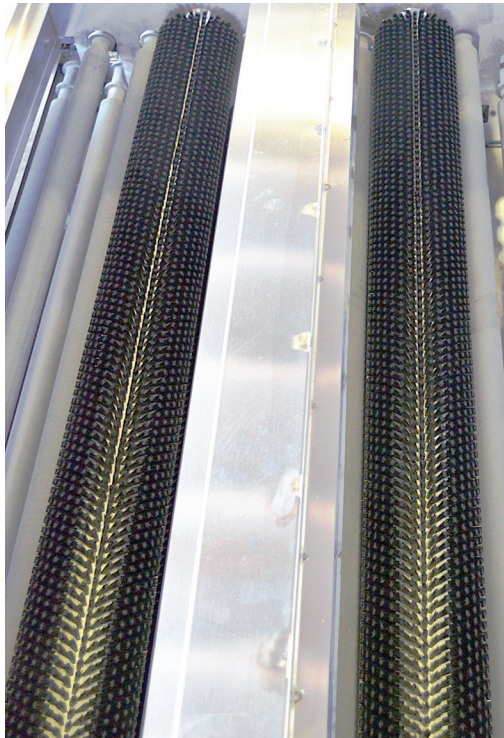
HORIZONTAL WASHING MACHINE
HTL SERIES

HTL series washing machines are projected to guarantee a high-quality machine with high performance. Extremely reliable, with a sturdy structure, HTL series washing machines are designed to deliver a superior washing quality with the best technology available. Made to last for a longer time than many other similar machines in the market, thanks to an accurate functionality analysis and the highest care about details. Designed to deliver the best quality washing either in line installation, connected with other machines like bi-lateral edging machines or horizontal working centers, or in stand-alone use. Schiavo builds its machines with long-lasting materials and superior quality components, improving every day to make your work easier, faster, better.

The features of the TOP series washing machines makes them unique in the market, the best combination available today for quality and competitiveness.

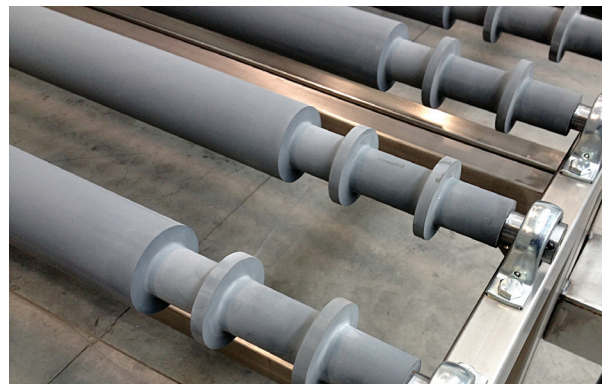
HORIZONTAL WASHING MACHINE

HTL SERIES



Brushes are made of one piece, no sector brushes.
Brushes shafts are made of stainless steel, rectified and balanced.

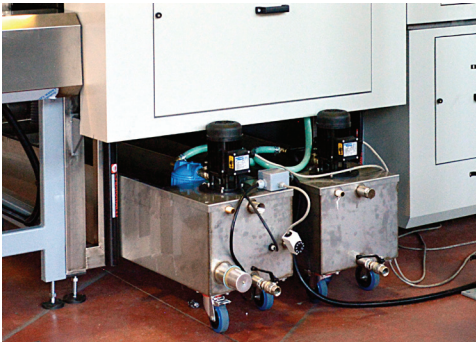
Advantages:
-no vibrations when rotating
-very high washing quality
-very low wear of mechanical parts
-longer life time



Transport rollers made of vulcanized and rectified rubber. Each roller has N° 2 rubber rings per side to avoid the water to reach the mechanical parts aside the machine during operation due to roller side-spinning effect.

Advantages:
-no water in the transmission elements
-no corrosion
-longer lifetime

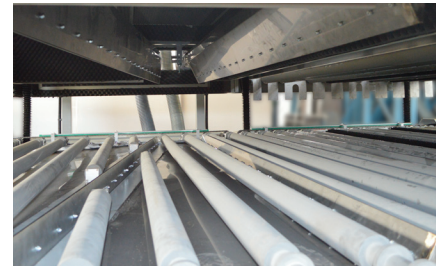




Water tanks with pumps and filters are easy extractible, moving on wheels. Stainless steel extractible drawers for glass scrap recovery.

Advantages:

- Easy maintenance and cleaning
- Less cleaning and maintenance time
- Easy glass scrap removal



Top quality Electronic Components

Advantages:

- very low maintenance
- easy to find worldwide
- less production stops
- less energy consumption
- money saving

HORIZONTAL WASHING MACHINE

HTL SERIES

Soundproof drying section and blower box, reaching very low noise levels, CE and international regulations compliant. Air knives made entirely in stainless steel. Fan blower controlled by inverter.

Advantages:

- healthy and safe environment for operators
- longer lifetime
- no electrical current peaks, energy efficiency

Machine body of the entire washing section, including base structure frame, bottom and top covers, lateral inner covers, spraying bars and water tanks are completely made of stainless steel.

Advantages:

- no corrosion
- high quality machine
- longer lifetime

Other features:

- Sturdy metal structure
- Adjustable speed by inverter
- Automatic glass entry
- Automatic glass output
- Output limit switch sensor
- Easy overall maintenance
- Heating resistance for hot-water washing
- High quality paint coating of steel structures and covers not in contact with water
- **Machine 100% Made in Italy**

OPTIONS

Pre-washing section with water sprayers, tank and pump to remove excess of dust and dirt off the glass sheet before washing.

Motorized opening for glass thickness adjustment and maintenance, up to 500 mm.

Energy Saving System, sensor controlled automatic stand-by mode.

Connection interface with other machines for in-line installation.

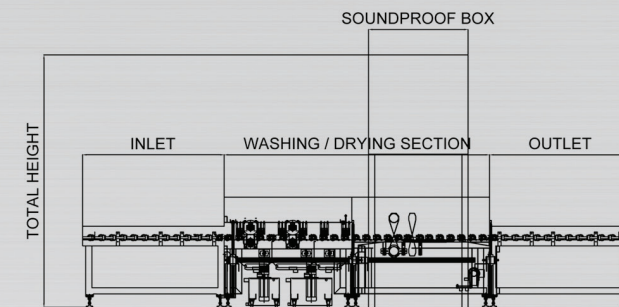
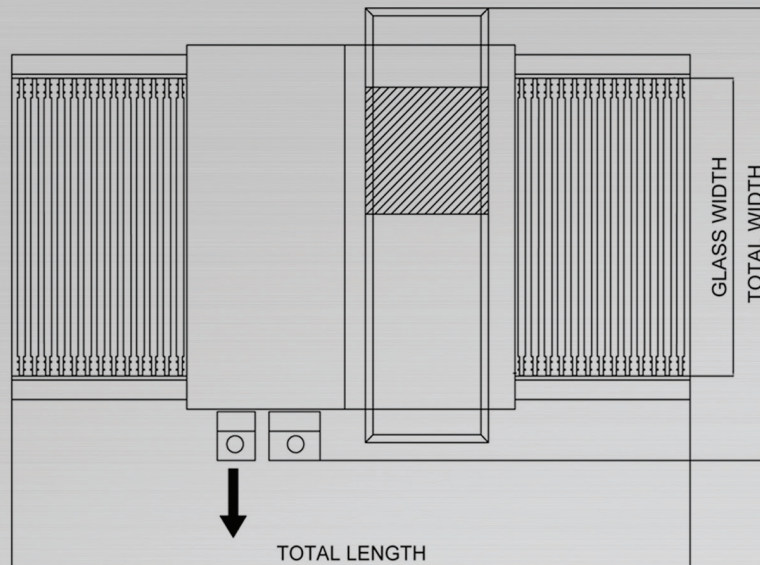
Additional couple of brushes

Additional couple of air knives

High-speed kit, with transmission by conical couples

Small-glasses kit, with smaller and closer rollers

PLC to control all machine functions



Model:	HTL500	HTL1300	HTL1600	HTL2000	HTL2600	HTL3000	HTL3300
Max. glass width:	500 mm	1300 mm	1600 mm	2000 mm	2600 mm	3000 mm	3300 mm
Min. glass dim. (LxH):	150x80 mm / 75x75 mm	300x200 mm	400x200 mm	400x200 mm	400x200 mm	450x250 mm	450x250 mm
Thickness:	3-12 mm / 3-50 mm *	3-12 mm / 3-50 mm *	3-12 mm / 3-50 mm *	3-12 mm / 3-50 mm *	3-12 mm / 3-50 mm *	3-12 mm / 3-50 mm *	3-12 mm / 3-50 mm *
Speed:	1-6 m/min	1-6 m/min	1-6 m/min	1-6 m/min	1-6 m/min	1-6 m/min	1-6 m/min
Inlet conveyor:	500 mm	1350 mm	1350 mm	1850 mm	2000 mm	2000 mm	2500 mm
Outlet conveyor:	500 mm	1350 mm	1350 mm	1850 mm	2000 mm	2000 mm	2500 mm
Voltage:	400 V – 50 Hz	400 V – 50 Hz	400 V – 50 Hz	400 V – 50 Hz	400 V – 50 Hz	400 V – 50 Hz	400 V – 50 Hz
Commands Voltage:	24 V	24 V	24 V	24 V	24 V	24 V	24 V
Power:	5 Kw	12 Kw	13 Kw	20 Kw	23 Kw	25 Kw	29 Kw
N° Brushes:	4/6	4/6	4/6	4/6	4/6	4/6	4/6
Upper Brushes:	0.3 µm Bristle	0.3 µm Bristle	0.3 µm Bristle	0.3 µm Bristle	0.3 µm Bristle	0.3 µm Bristle	0.3 µm Bristle
Lower Brushes:	0.3 µm Bristle	0.3 µm Bristle	0.3 µm Bristle	0.3 µm Bristle	0.3 µm Bristle	0.3 µm Bristle	0.3 µm Bristle
N° Air Knives:	4	4	4	4	4	4	4
N° Water tanks:	2/3	2/3	2/3	2/3	2/3	2/3	2/3
Ø Brushes:	90 / 120 mm	150 mm	150 mm	190 mm	190 mm	190 mm	190 mm
Overall Dimensions:	1500x800xh900 mm	6100x1800xh2900 mm	6500x2300xh3400 mm	7200x3500xh3000 mm	7500x3700xh3000 mm	7500x4100xh3000 mm	8500x4400xh3000 mm