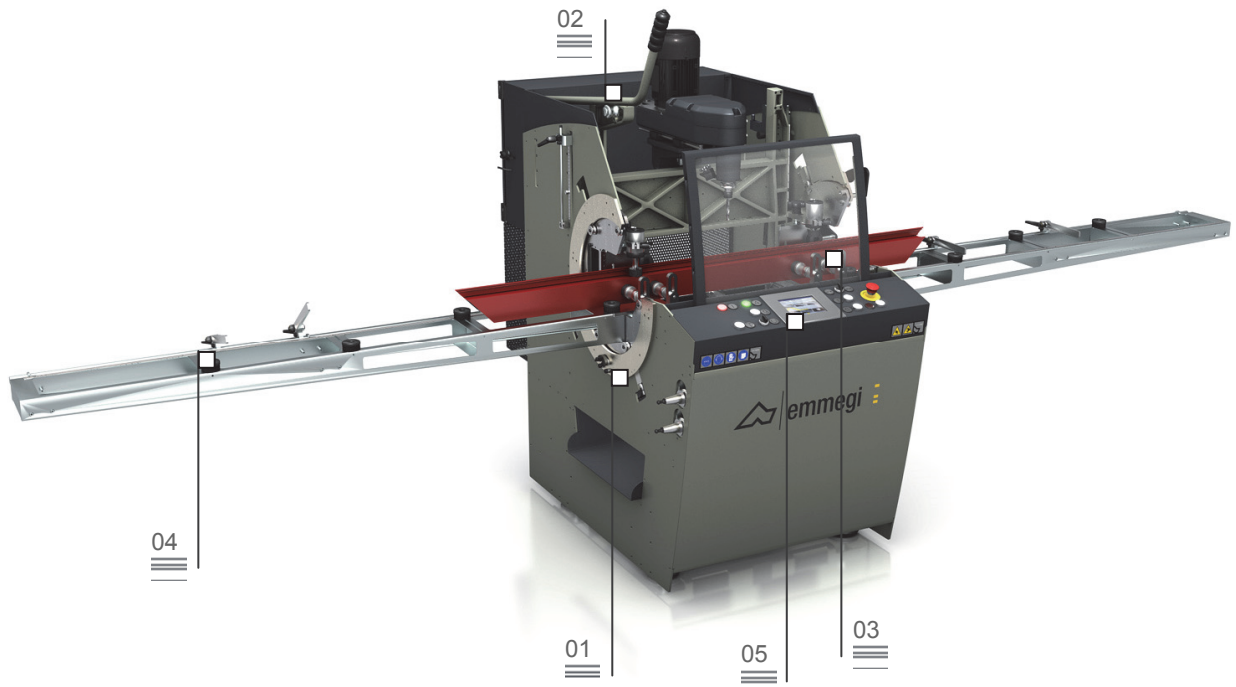


# Nanomatic 384 S

Electronic copy router

Workpiece rotation 01

Control joystick 02

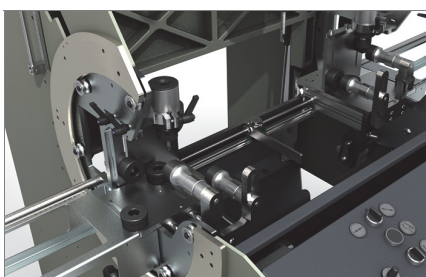


Copy router with 2 controlled axes, ideal for working aluminium, PVC and steel profiles up to 2 mm, with the possibility of working stainless steel (optional) up to 2 mm. Work cycle management takes place via intuitive software that guides the operator through simple indications on the touch screen display. The USB connection allows easy connection to the PC. The work table rotates on 4 sides and allows the implementation speed and precision to be increased. It also allows shorter tools to be used, thereby minimising through processing that cause vibration and noise. ISO 30 tool quick change. Work area pneumatic control protection.

Clamps 03

Stops and roller conveyors 04

Numerical control 05



The pictures are provided by way of illustration only

# Nanomatic 384 S

Electronic copy router

## 01

### Workpiece rotation

Via the release control on the console, the slewing ring with rotary movement can be moved manually and blocked in 4 preset positions by pneumatic stops, for processing to be performed on the other sides of the profile.

## 02

### Control joystick

The lever allows the vertical movement of the milling unit. A motor starter button is found on the joystick. The electrospindle has a tool holder with an ISO 30 quick coupling; there are 4 housings on the sides of the machine for 3 tool holders.

## 03

### Clamps

The machine has manually adjustable pneumatically-controlled horizontal and vertical clamps with a low pressure device, which guarantee the profile is blocked properly in the machine.

## 04

### Stops and roller conveyors

The roller conveyors positioned on the right and left support very long profiles being processed. Moreover, a system of manually-adjustable stops, also on the right and left, allows the workpiece to be positioned properly in the machine, taking it to the work area. The position of the stops that the workpiece refers to is indicated each time by the numerical control.

## 05

### Numerical control

The interface with 5.7" touch screen display replaces the template and allows the figures that are to be implemented to be defined together with their positioning on the workpiece, thereby indicating the position of the relative stop. The operator instructions are given in real time with signals and messages on the display, making the job simple and intuitive. The milling movements referring to the X and Y axes are managed electronically by the controlled interpolated axes. The descent movement of the spindle, like the rotation of the piece, take place manually. This machine is equipped with a USB port in order to facilitate data transfer.

FEATURES	• included	○ optional
Motor with inverter (kW)		1.1
Tool speed (revs/min)		1.000 ÷ 10.000
Travel (X-Y-Z) (mm)		380 – 150 – 250
Numerical control axes (X, Y)		2
Manual head lowering with a pneumatic blocking system		•
Clamp capacity at 90° (mm)		140 x 120
Rapid tool change		ISO 30
Tool connector with collet max (mm)		Ø = 10
Max tool length (mm)		95
Horizontal clamps with dual hold-down and low pressure device		2
Vertical clamps with low pressure device		2
PVC adjustable clamp jaws		•
Automatic work area protection with pneumatic progress		•
Laser pointer		○
Single cutter mill (mm)		Ø = 5 – 10
Mill-holder collet complete with ring nut (mm)		Ø = 5/6 – 9/10
Spray-mist lubrication system with water and oil emulsion		•
Injection lubrication system		○
Air-cooling system at –20°C and injection lubrication with 1 nozzle for stainless steel processing		○
Right and Left profile-supporting shelves with 4 excludable stops		•
Central stop that slides along linear guides		•
Tool holder storage built into the base, holds 4 tools		•
Head movement along precision linear guides		•
Windows CE operating system		•
Standard macro figures execution software		•
Nanocam Software for PC		○
5.7" touch screen colour LCD		•