

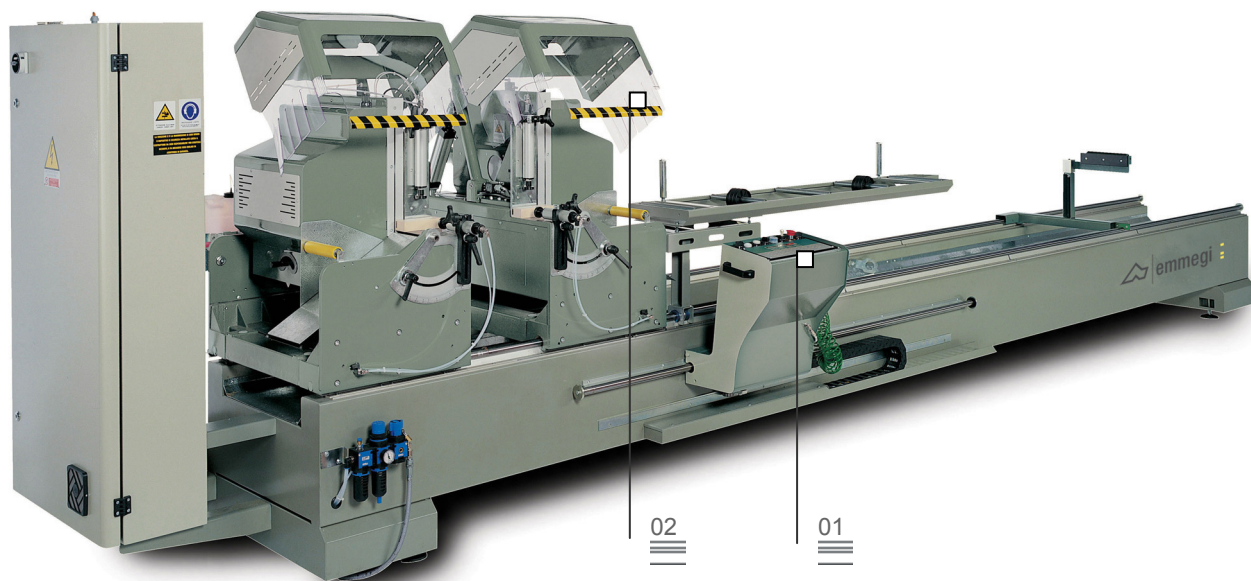


Doppia Magic

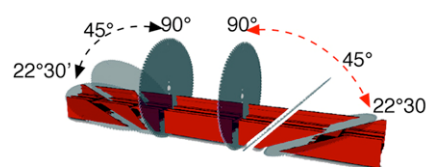
Twin-head cutting-off machine

Control 01

Tilting of the moving cutting heads 02

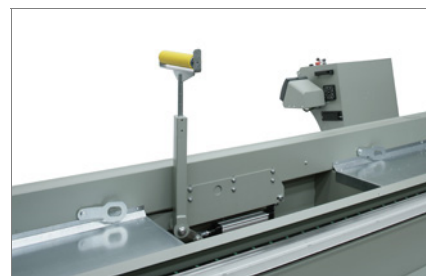
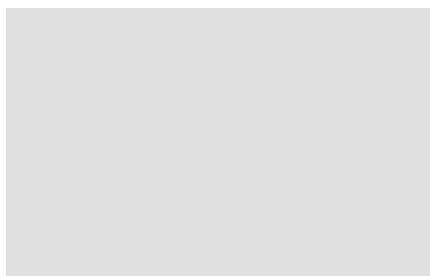


The Emmegi twin-head cutting-off machines boast of exceptional performance characteristics, including ruggedness and reliability. This machine is the ideal tool for cutting aluminium and PVC bars in various thicknesses and at different angles. Latest generation machines which can make a considerable contribution to the production cycle thanks to their high standard of accuracy and user-friendliness. Doppia Magic is a twin-head cutting-off machine with automatic movement of the right cutting head through a numerically controlled dc motor. The machine can be provided with an industrial label printer to enable profile identification and association with relative job.



Label printer (optional) 03

Intermediate support (optional) 04



Doppia Magic

Twin-head cutting-off machine

01 Control

The user-friendly control panel installed on the various models, runs on bearings and allows correct positioning of the moving cutting heads according to cutting specifications. The work cycle is optimized through creation of the cutting lists thus reducing scrap as well as workpiece loading/unloading times.

02 Tilting of the moving cutting heads

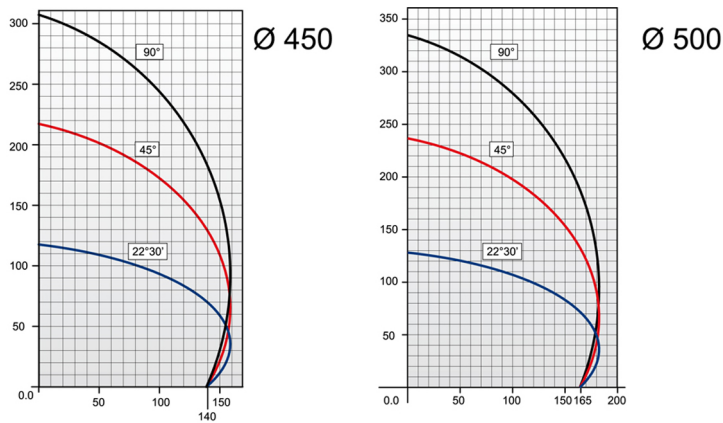
Rotation of the heads about the horizontal axis is powered by pneumatic cylinders. External angles from 90° to 45° can be obtained from machines fitted with 450 mm diameter blades. Using 500 mm blades, it is possible to obtain external angles from 90° to 22°30'. Intermediate angles can be obtained by using the appropriate manually adjustable stop. The moving cutting heads are fully guarded in the work zone and lowering of these guards is pneumatic.

03 Label printer (optional)

The industrial label printer allows identification of each cut profile with the profile I.D. data originating from the cutting list. In addition, the printing of bar codes permits easy identification of the actual profile, which is particularly useful for subsequent machining phases on machining centers or on assisted assembly lines.

04 Intermediate support (optional)

The pneumatic intermediate support proves highly useful when cutting light profiles with considerable lengths. In such case the pneumatic support automatically seeks to create the ideal condition to support the profile.



Cutting chart

CONTROL CHARACTERISTICS

LCD back-lit display	●
Provision for connection to industrial label printer	●
USB port	○
Lan card RJ45	○
Execution of single cuts	●
Memorization of 99 profile compensations with automatic calculation of the size for angle cuts	●
Memorization of 25 cutting lists (each with 100 lines) via cable from external PC through RS232 board	●
Creation of 100 window styles (1500 formulae) downloadable on USB	○

MACHINE CHARACTERISTICS

Measurement of moving cutting head position via direct measuring system with magnetic tape	●
2 carbide-tipped blades	●
Full guard for cutting zone, pneumatically operated	●
Pair of pneumatic horizontal and vertical clamps with "low pressure" device	●
Profile support roller conveyor	●
Spray-mist lubrication system with oil and water emulsion	●
Provision for automatic start of swarf exhauster MG	●
Pair of standard counterblocks	●
Metric scale	5
Cutting capacity 5 m	2,2

- included
- available